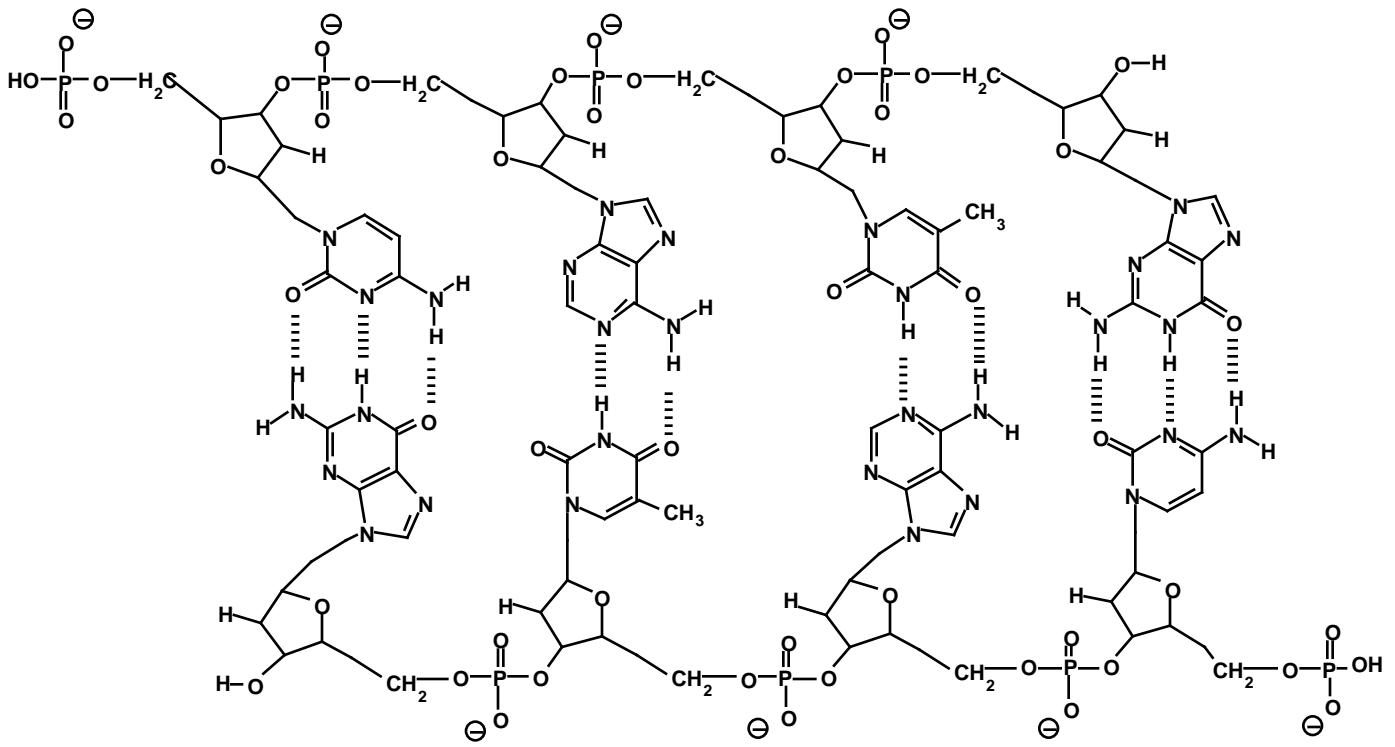
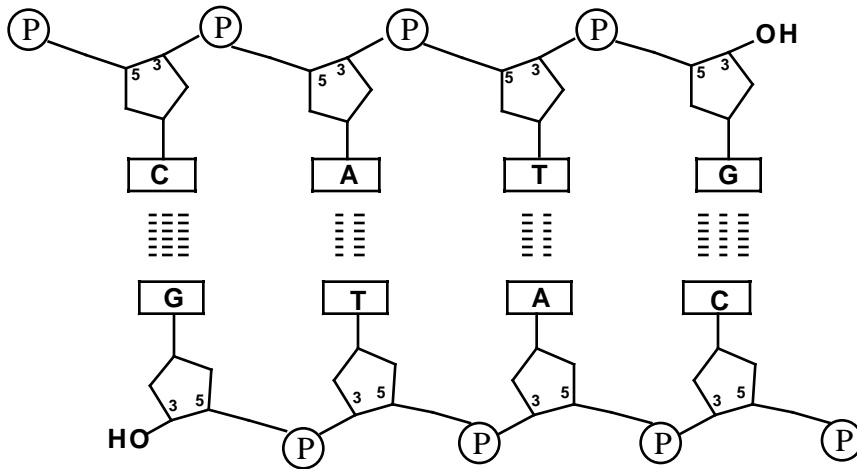


DEOXYRIBONUCLEIC ACID

DNA



5' → 3'



3' ← 5'