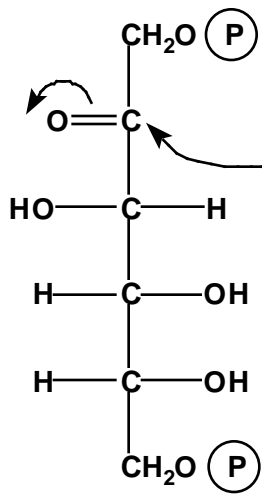
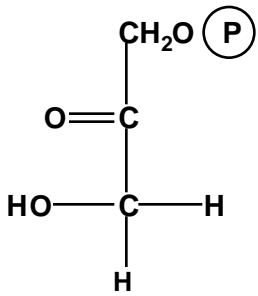
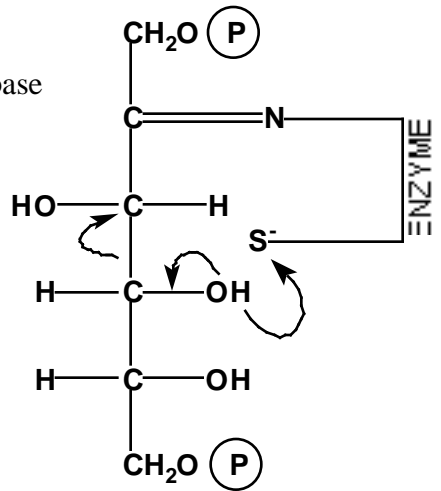


GLYCOLYSIS

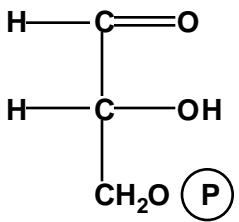
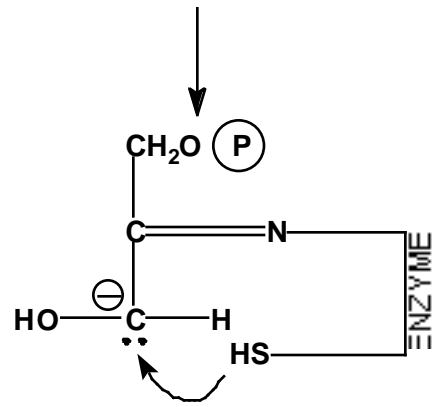
Aldolase



addition, dehydration = Schiff base



hydration, elimination



Glyceraldehyde-3-phosphate Dehydrogenase

